



# Spare Parts list

# 4 Posts Lift

Model FP3500 & FP3500X

(Without Pricing)

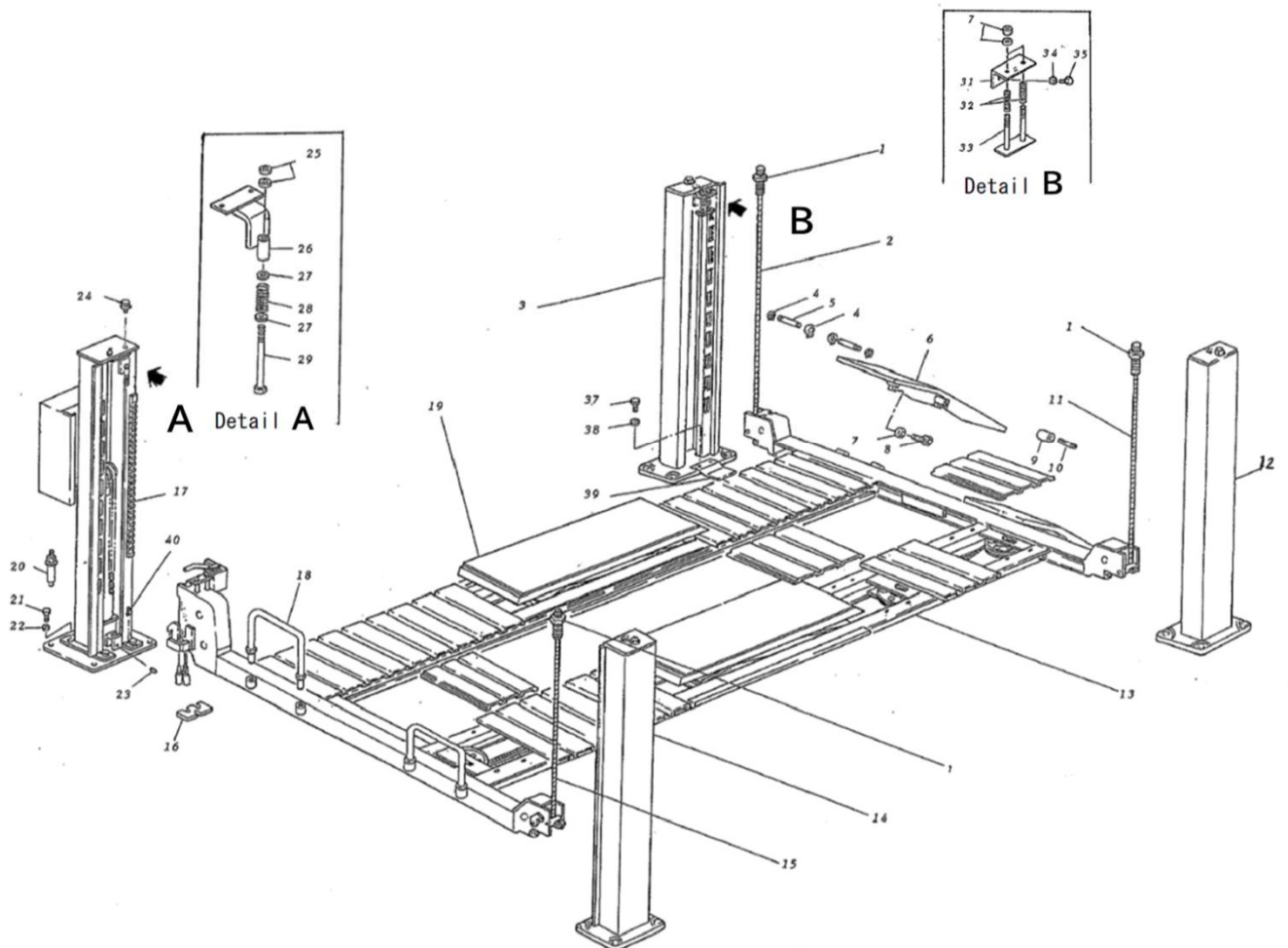
**Note :**

Ask Bishamon for Export Model Info. of Hyd. Unit and Electric Components.  
Serial No. Info. would be Required. Some Parts Info. shown in this Parts List  
could be only for Japanese market.

# Contents

	(Page)
Contents	1)
1 Overall View	1) ~ 2)
2 Cylinder	3) ~ 4)
3 Main Drive-On End Beam	5) ~ 6)
4 Sub Drive-On End Beam	7) ~ 8)
5 Drive-On Beam	9) ~ 12)
6 Wheel Free Upper Lift and Cylinder	13) ~ 14)
7 Hyd. Unit	15) ~ 18)
8 Caution Labels	19) ~ 20)

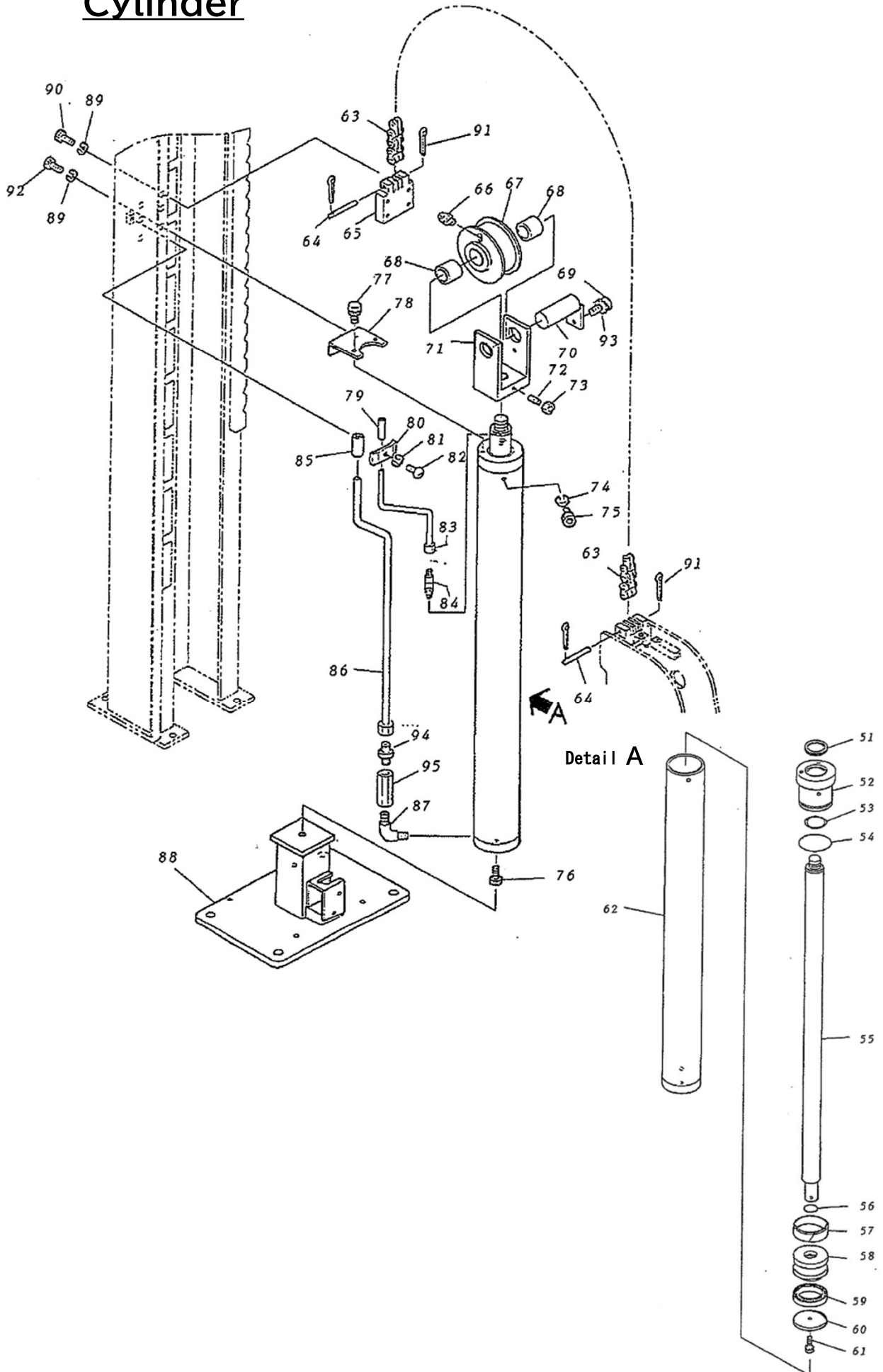
## Overall View



## Overall View

Ill.No.	Parts No.	Parts Name	Note	Qty/Unit		Price/ea.
				FP3500	FP3500X	
1	10163981	Adjust Nut	50H-20	3	3	
2-1	50616062	Wire Rope (Cable) for FP3500	Cable No. 3 - L=11,334	1		
2-2	50615062	Wire Rope (Cable) for FP3500X	Cable No. 3 - L=11,410		1	
3	00070201	Sub Post B		1	1	N/A
4	80845011	Snap Ring	RR020	8	8	
5	10216152	Ramp Hinge Axle		4	4	
6	00071652	Drive On Ramp		2	2	
7	90930310	Hex Nut	HN10(3)SE	8	8	
8	90911038	Hex Bolt	HB1035	4	4	
9	10213581	Free Wheel Beam Roller		4	4	
10	10213591	Spring Pin		4	4	
11	50615051	Wire Rope (Cable)	Cable No. 2 - L=9,940	1	1	
12	00070211	Sub Post C		1	1	N/A
13-1	N/A	Drive On Beam A	FP3500	1		N/A
13-2	N/A	Drive On Beam A	FP3500X		1	N/A
14	00070191	Sub Post A		1	1	N/A
15	50615041	Wire Rope (Cable)	Cable No. 1 - L=5,565	1	1	
16	10210441	Anchor Plate		1	1	
17	00070025	Main Post (Not Available because Post is structural parts)		1	1	N/A
18	00071632	Wheel Stop		2	2	
19-1	N/A	Drive On Beam B	FP3500	1		N/A
19-2	N/A	Drive On Beam B	FP3500X		1	N/A
20	50563651	Anchor Bolt		16	16	
21	90911225	Hex Bolt	HB1225SE	4	4	
22	90930512	Spring Washer	SW12SE	4	4	
23	90960825	Hex Socket Head Screw	HSS0825	1	1	
24	90891025	Hex Bolt with Washer	HBS1025SE	2	2	
25	90930312	Hex Nut	HN12(3)SE	2	2	
26	00069840	Release Bracket		1	1	
27	90930712	Flat Washer	PW12SE	2	2	
28	50612860	Main Hook Release Spring		1	1	
29	90911208	Hex Bolt	HB12150SE	1	1	
31	10210061	Releasing Angle		1	1	
32	50611131	Release Spring		2	2	
33	00070221	Spring Release Seat		1	1	
34	90930710	Flat Washer	PW10SE	2	2	
35	90911015	Hex Bolt	HB1015SE	2	2	
37	90910815	Hex Bolt	HB0815SE	2	2	
38	90930708	Flat Washer	PW08SE	2	2	
39	10211111	Safety Device Base Plate		1	1	
40	90961016	Socket Head Cap Srew	HSS1015	4	4	

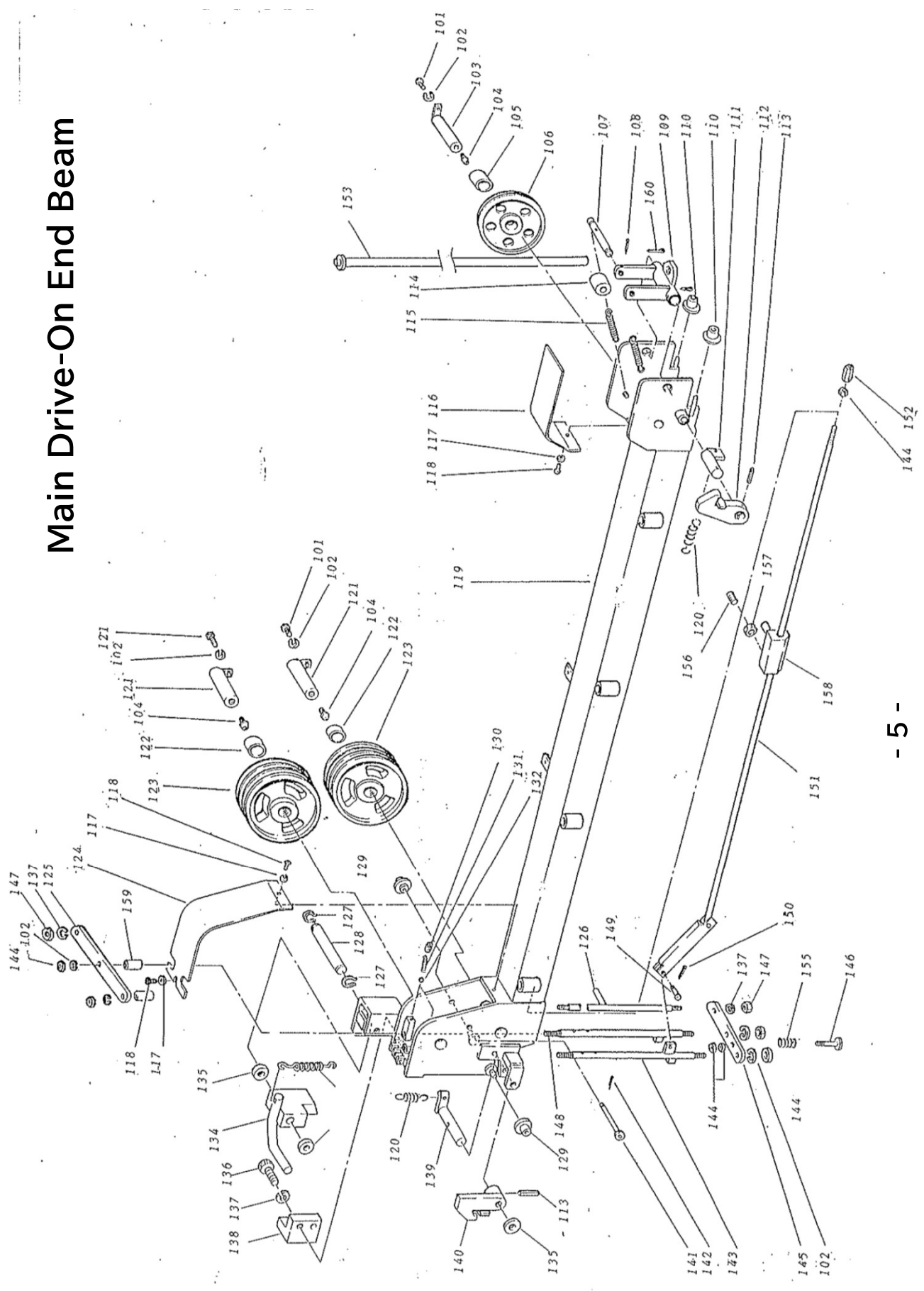
# Cylinder



# Cylinder

Ill.No.	Parts No.	Parts Name	Note	Qty/Unit		Price/ea.
				FP3500	FP3500X	
PM5	30071560	Cylinder Assy	(51~62, 74~78, 84, 87, 95)	1	1	
PM7	70098410	Chain Wheel A Assy	(66, 67, 68x2)	1	1	
	00069961	Cylinder Seal Kit	(51, 53, 54, 56, 57, 59)	1	1	
51	80803050	Dust Seal	DH-50	1	1	
52	11316421	Cylinder Cover		1	1	
53	80800046	O Ring	P50	1	1	
54	80800133	O Ring	G85	1	1	
55	11316400	Piston Rod		1	1	
56	80800034	O Ring	P35	1	1	
57	80804090	Wearing	84X90X25 Oiles #80	1	1	
58	10520970	Piston		1	1	
59	80801571	U Packing	KY70 Sakagami	1	1	
60	10520990	Piston Washer		1	1	
61	90891235	Bolt with Washer	HBS1235SE	1	1	
62	00099520	Cylinder		1	1	
63	39835453	Leaf Chain	AL866-(53+2 Links) Chain Fitting Pin included	1	1	
64	51311090	Chain Fitting Pin		2	2	
65	11316480	Post Chain Fitting Plate		1	1	
66	80827006	Grease Fitting	GNMA6X0.75	1	1	
67	11316440	Chain Wheel A		1	1	
68	81774030	Bushing	LFB-4030 Oiles	2	2	
69	91000815	Socket Head Cap Bolt	HSF0815	1	1	
70	00099560	Chain Wheel Shaft		1	1	
71	30069720	Chain Bracket		1	1	
72	90960830	Socket Head Screw	HSS0830	1	1	
73	90930308	Hex Nut	HN08 (3) SE	1	1	
74	90930508	Spring Washer	SW08SE	2	2	
75	90920815	Socket Head Cap Bolt	HSB0815	2	2	
76	90921015	Socket Head Cap Bolt	HSB1015	1	1	
77	90891020	Bolt with Washer	HBS1020SE	2	2	
78	11316460	Cylinder Clamp		1	1	
79	51311120	Pipe Supporting Hose		1	1	
80	10161371	Pipe Fitting		1	1	
81	90930506	Spring Washer	SW06SE	2	2	
82	90940615	Screw	MSR0615SE	2	2	
83	00069931	Oil Return Pipe Assy		1	1	
84	80813906	90° Elbow	HS-E1-6X1/8	1	1	
85	50561371	Pipe Supporting Pipe		1	1	
86	10216014	Oil Pressure Pipe A Assy	With Sleeve and Nut	1	1	
87	80813102	Male and Female Elbow	HS-BC-1/4	1	1	
88	00069700	Main Post Base		1	1	
89	90930512	Spring Washer		6	6	
90	90921240	Socket Head Cap Bolt	HSB1240	4	4	
91	90972516	Cotter Pin	SP02.515SE	4	4	
92	90921225	Socket Head Cap Bolt	HSB1225	2	2	
93	90930958	Serrated Washer	TLWF08SE	1	1	
94	80814910	Connector	HS-S-10X1/4	1	1	
95	80818559	Fuse Valve	FS1-02-M-30-0	1	1	

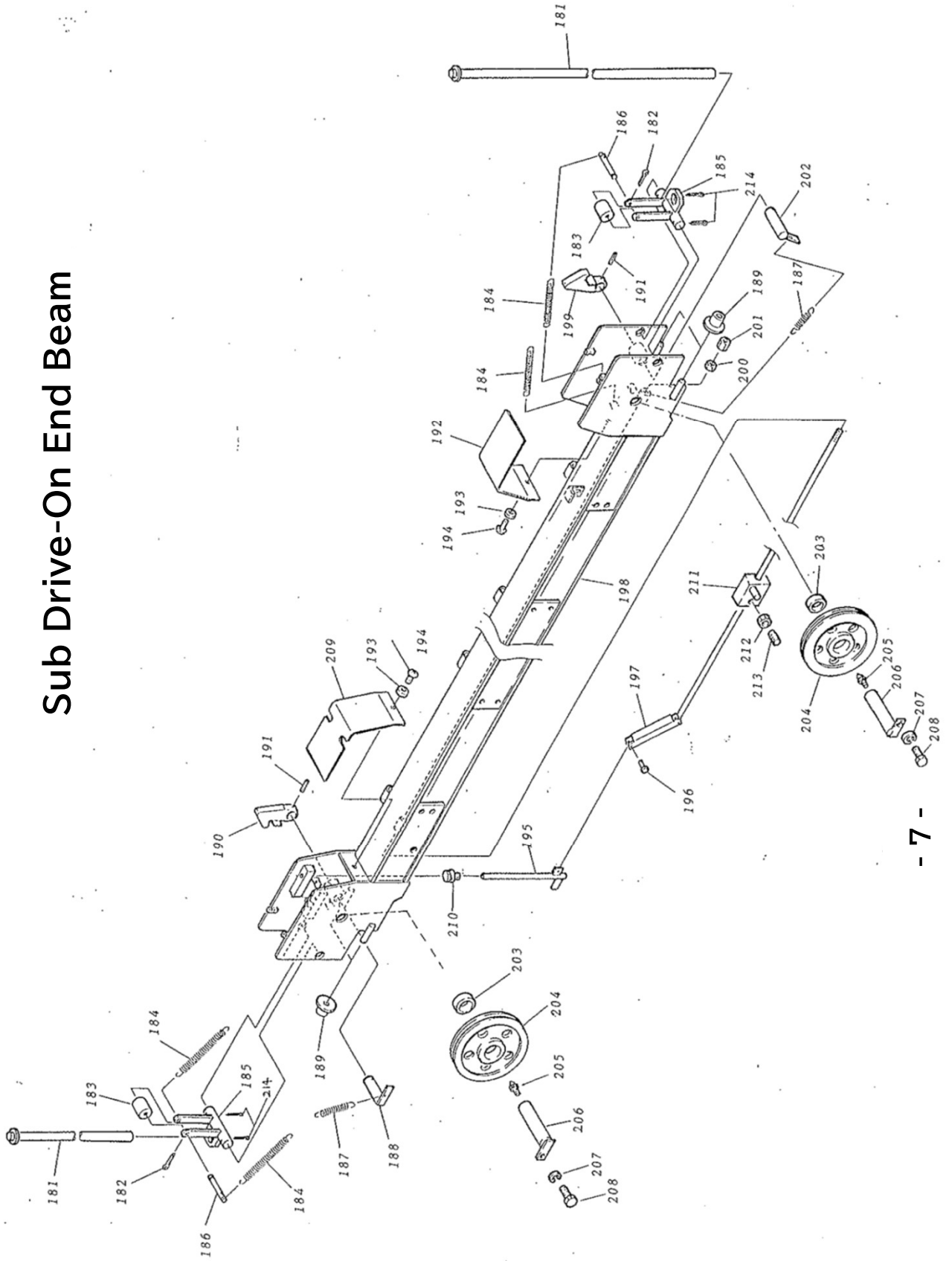
# Main Drive-On End Beam



# Main Drive-On End Beam

Ill.No.	Parts No.	Parts Name	Note	Qty/Unit		Price/ea.
				FP3500	FP3500X	
PD1	70001500	Hook Shaft B.D. & Hook R	(111, 112)	1	1	
101	90910815	Hex Bolt	HB0815SE	3	3	
102	90930508	Spring Washer	SW08SE	6	6	
103	00070541	Sub Pulley Shaft		1	1	
104	80827006	Grease Fitting	GNAM6X0. 75	3	3	
105	10212341	Pully Collar		1	1	
106	10211711	Sub Pulley		1	1	
107	10212561	Safety Roller Shaft		1	1	
108	90973031	Cotter Pin	SP0330SE	1	1	
109	00070431	Safety Device		1	1	
110	10213162	Sub Guide Roller		2	2	
111	N/A	Hook Shaft B.D. - L	Replace by PD1	1	1	N/A
112	N/A	Drive On Hook R	Replace by PD1	1	1	N/A
113	90980535	Roll Pin	SRP0535	2	2	
114	10212571	Safety Roller		1	1	
115	50612561	Safety Hook Pull Spring		2	2	
116	10213121	Sub Cover		1	1	
117	90930706	Flat Washer	PW06SE	3	3	
118	90940610	Screw	MSR0610SE	3	3	
119	N/A	Main Drive-On End Beam (Not Available because Drive On End Beam is structural parts)		1	1	N/A
120	50612611	Safety Spring		1	1	
121	00070532	Main Pulley Shaft		2	2	
122	10212161	Main Pulley Collar		2	2	
123	10212461	Main Pulley		2	2	
124	10212912	Main Cover		1	1	
125	10216252	Main Joint Bar		1	1	
126	00071576	Hook Return Rod		1	1	
127	80845015	Snap Ring	RR025	2	2	
128	10591480	Hook Shaft		1	1	
129	10213152	Main Guide Roller		2	2	
130	91051215	Screw	SCF1215	2	2	
131	50612771	Push Spring		2	2	
132	80843025	Steel Ball	5/16A	2	2	
133	50612840	Chain Safety Spring		1	1	
134	00069800	Safety Hook		1	1	
135	10235276	Hook Shaft Collar		3	3	
136	90921235	Socket Head Cap Bolt	HSB1235	2	2	
137	90930512	Spring Washer	SW12SE	4	4	
138	10213300	Beam Guide		1	1	
139	00069780	Drive On Hook Shaft		1	1	
140	00069760	Main Drive On Hook		1	1	
141	10212941	Wire Stop L		1	1	
142	90973020	Cotter Pin	SP0320SE	1	1	
143	00071556	Main Hook Operating Bar		1	1	
144	90930108	Hex Nut	HN08SE	7	7	
145	10216242	Under Joint Bar		1	1	
146	10162722	Switch Pin		1	1	
147	90930112	Hex Nut	HN12SE	2	2	
148	10216262	Main Operation Bar		1	1	
149	50501681	Pin		1	1	
150	90972516	Cotter Pin	SP02. 515SE	1	1	
151	00071572	M. Hook Return Bar		1	1	
152	10212821	Adjust Nut		1	1	
153	00070242	Safety Bar		1	1	
155	50615501	Hook Return Spring		1	1	
156	90960612	Socket Head Cap Screw	HSS0612	1	1	
157	90930106	Hex Nut	NHN06SE	1	1	
158	00069430	Joint Clamp M		1	1	
159	10212813	Main Distance Collar		2	2	
160	90975035	Cotter Pin	SP0535SE	2	2	

# Sub Drive-On End Beam

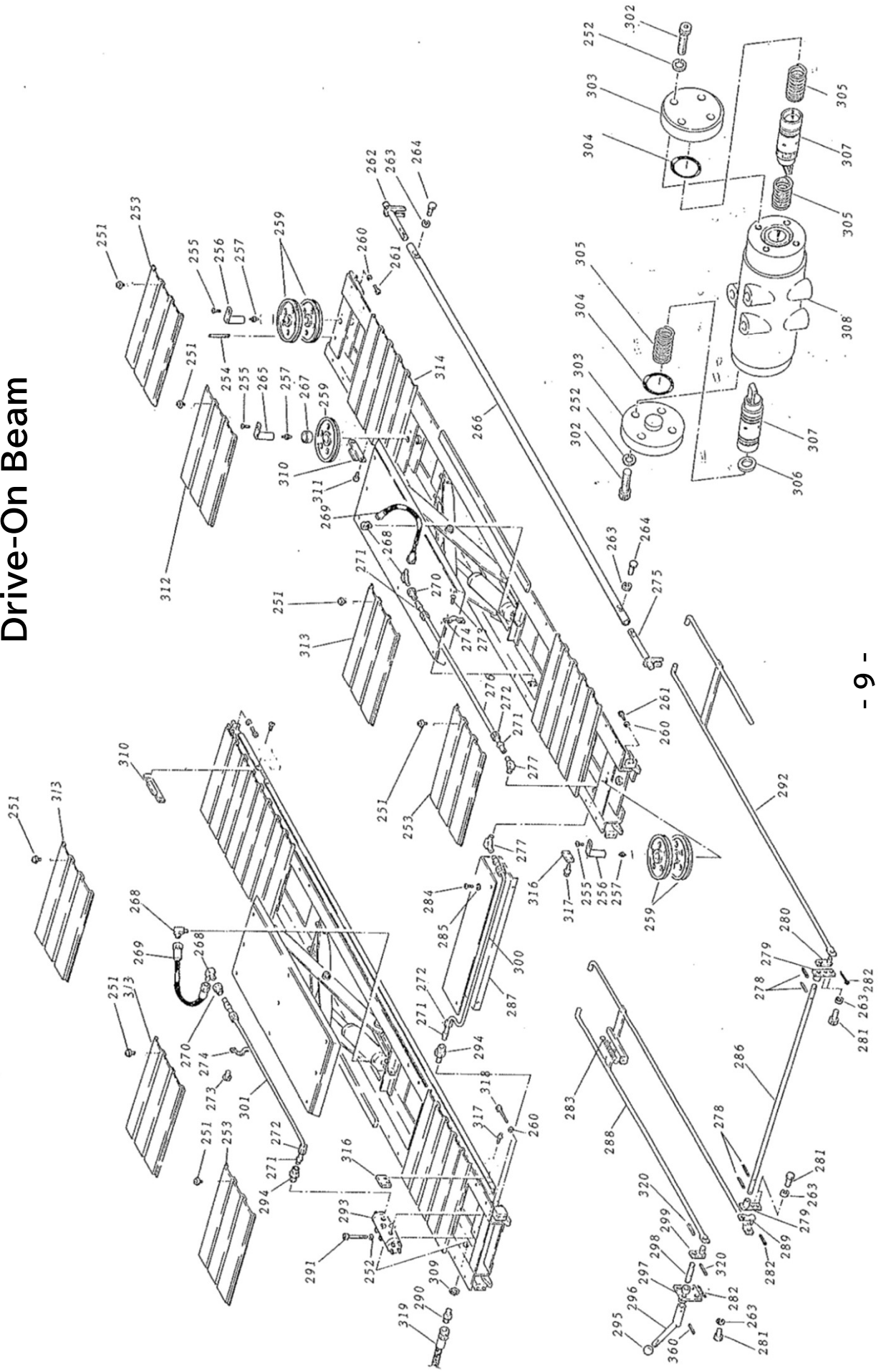




## Sub Drive-On End Beam

Ill. No.	Parts No.	Parts Name	Note	Qty/Unit		Price/ea.
				FP3500	FP3500X	
PS1	70001520	Hook Shaft C & Hook R	(188, 190)	1	1	
PS2	70001510	Hook Shaft B. D. & Hook L	(199, 202)	1	1	
181	00070242	Safety Bar		2	2	
182	90973031	Cotter Pin	SP0330SE	2	2	
183	10212571	Safety Roller		2	2	
184	50612561	Safety Hook Pull Spring		4	4	
185	00070431	Safety Device		2	2	
186	10212561	Safety Roller Shaft		2	2	
187	50612611	Safety Spring		2	2	
188	N/A	Hook Shaft C	Replace by PS1	1	1	N/A
189	10213162	Sub Guide Roller		4	4	
190	N/A	Drive On Hook R	Replace by PS1	1	1	N/A
191	90980535	Roll Pin	SRP0535	2	2	
192	10213121	Sub Cover		1	1	
193	90930706	Flat Washer	PW06SE	2	2	
194	90940610	Screw	MSR0610SE	2	2	
195	00071611	Sub Hook Operation Bar		1	1	
196	50501681	Pin		1	1	
197	00071622	Sub Hook Return Bar		1	1	
198	N/A	Sub Drive-On End Beam (Not Available because Drive On End Beam is structural parts)		1	1	N/A
199	N/A	Drive On Hook L	Replace by PS2	1	1	N/A
200	90930108	Hex Nut	HN08SE	1	1	
201	10212821	Adjust Nut		1	1	
202	N/A	Hook Shaft B. D. - R	Replace by PS2	2	2	N/A
203	10212341	Pulley Collar		2	2	
204	10211711	Sub Pulley		2	2	
205	80827006	Grease Fitting	GNAM6XO. 75	2	2	
206	00070541	Sub Pulley Shaft		2	2	
207	90930508	Spring Washer	SW08SE	2	2	
208	90910815	Hex Bolt	HB0815SE	2	2	
209	10213111	Sub Cover		1	1	
210	90940815	Screw	MSR0815SE	1	1	
211	00069440	Joint Clamp S		1	1	
212	90930106	Hex Nut	HN06SE	1	1	
213	90960612	Socket Head Cap Screw	HSS0612	1	1	
214	90975035	Cotter Pin	SP0535SE	4	4	

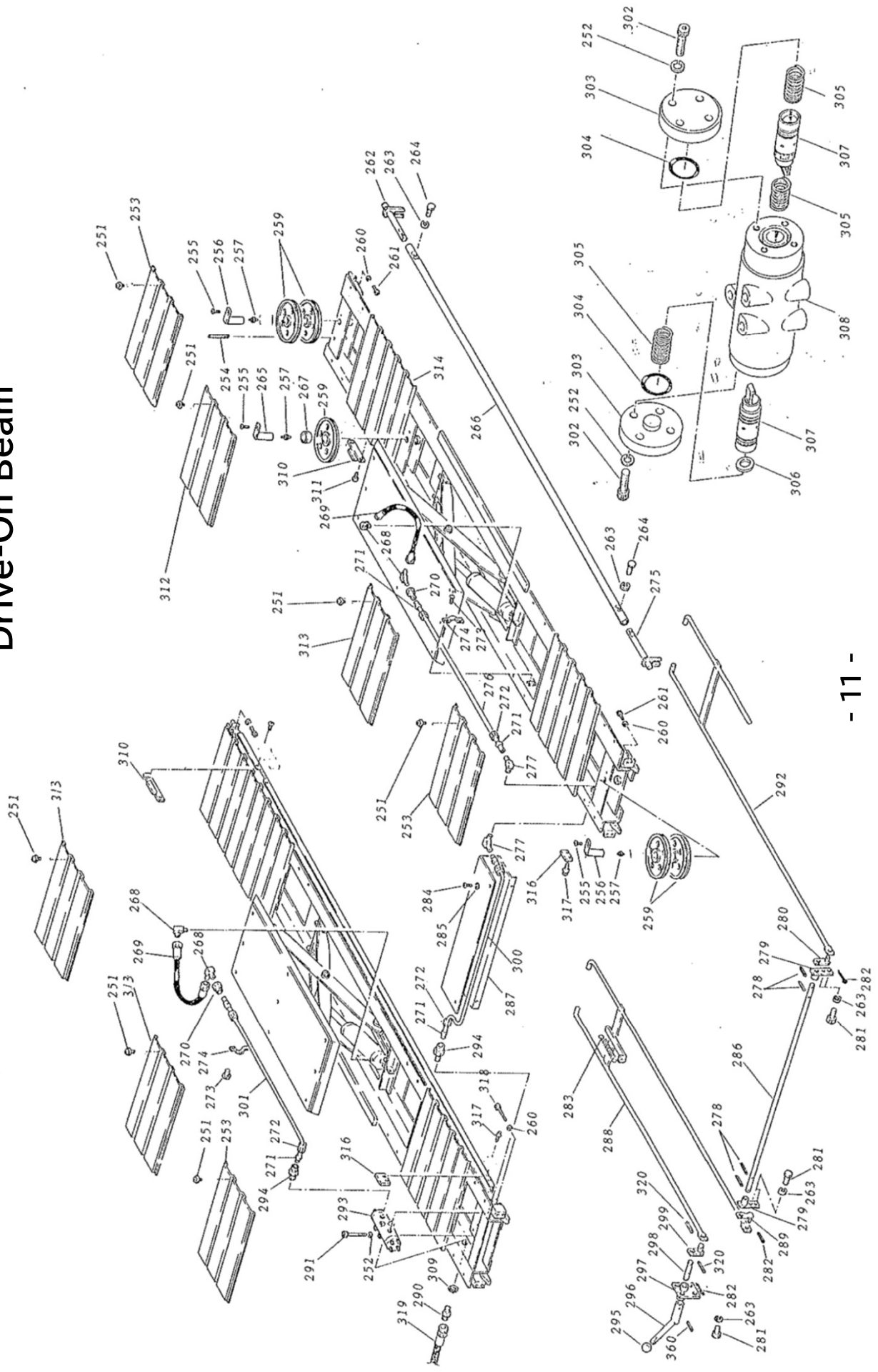
# Drive-On Beam



## Drive-On Beam

Ill. No.	Parts No.	Parts Name	Note	Qty/Unit		Price/ea.
				FP3500	FP3500X	
251	90750608	Screw with Washer	MSRP0608SE	12	28	
252	90930506	Spring Washer	SW06SE		11	
253	10213400	Drive On Plate		3	3	
254-1	10211752	Wire(Cable) Stop S		3		
254-2	10215692	Wire(Cable) Stop M			1	
255	90950815	Screw	MSF0815SE	2	3	
256	00070332	Pulley Shaft		2	2	
257	80827006	Grease Fitting	GNAM6XO. 75	2	3	
259	10211711	Sub Pulley		4	5	
260	90930510	Spring Washer		16	16	
261	90921025	Socket Head Cap Bolt	HSB1025	12	12	
262	00071587	Joint L		1	1	
263	90930508	Spring Washer	SW08SE	2	10	
264	90910815	Hex Bolt	HB0815SE	2	2	
265	00071282	Pulley Shaft			1	
266	10216021	Joint Pipe		1	1	
267	10215662	Pulley Collar L			1	
268	80813916	90° Elbow	Male 090-6-6		4	
269	50615031	High Pressure Hose B	210X10-400		2	
270	80814812	Connector	HS-SA-12X3/8		2	
271	80814712	Sleeve	HS-P2-12		6	
272	80813612	Nut	HS-C-12		6	
273	90940410	Screw	MSR0410SE		4	
274	80821521	Saddle			2	
275	00071582	Joint R		1	1	
276	10215581	Beam Pipe B			1	
277	80813912	90° Elbow	HS-E1-12X3/8		2	
278	90980325	Roll Pin	SRP0325		4	
279	00071791	Joint Boss			1	
280	00071821	Link Arm B			1	
281	90910812	Hex Bolt	HB0812SE		4	
282	90973016	Cotter Pin	SP0315SE		3	
283	50612561	Safety Hook Pull Spring			1	
284	90940608	Screw	MSR0608SE		4	
285	90930706	Flat Washer	PW06SE		4	
286	10216612	Joint Shaft			1	
287	00069661	Joint Pipe Cover			1	
288	00071831	Outer Arm A			1	
289	00071811	Link Arm A			1	
290	80814916	Connector	010-6-6		1	

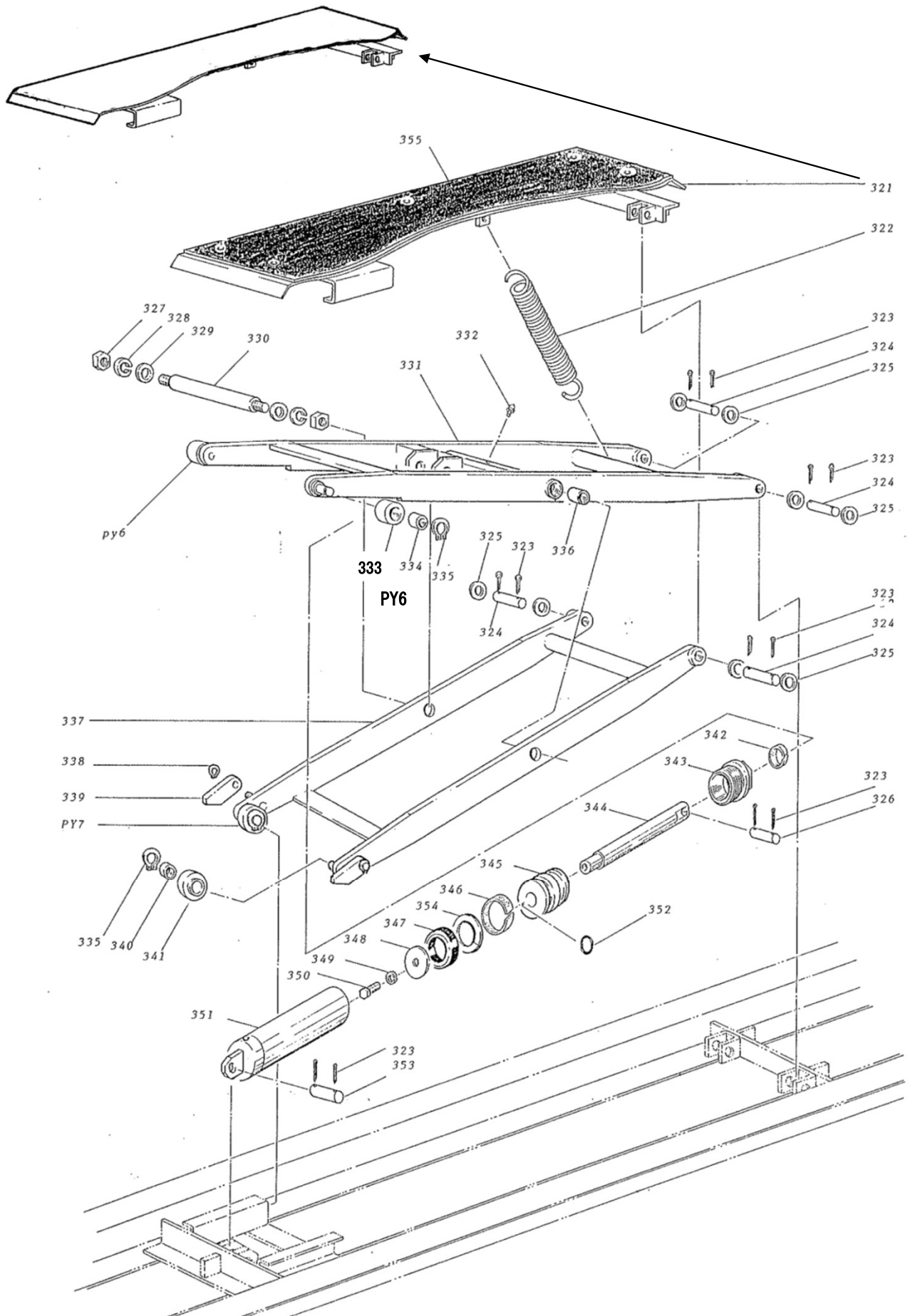
# Drive-On Beam



## Drive-On Beam

Ill. No.	Parts No.	Parts Name	Note	Qty/Unit		Price/ea.
				FP3500	FP3500X	
291	90920675	Socket Head Cap Bolt	HSB0675		3	
292	00071841	Outer Arm B			1	
293	00071231	Divider Valve			1	
294	80814912	Connector	HS-S-12X3/8		2	
295	50560701	Grip			1	
296	00071771	Handle			1	
297	00071781	Handle Boss			1	
298	10216622	Handle Shaft B			1	
299	00071802	Handle Arm			1	
300	10215573	Beam Piping A			1	
301	10215591	Beam Piping C			1	
302	90920625	Socket Head Cap Bolt	HSB0625		8	
303	10215621	Divider Valve Cover			2	
304	80800030	O Ring	P30		2	
305	50615022	Divider Valve Spring A			3	
306	10215641	Flow Divider Collar			1	
307	10215632	Divider Valve Spool			2	
308	10215611	Divider Valve Housing			1	
309	80821634	Bushing	KG-062 L=100		1	
310	00069880	Jack Rail Closer		2	2	
311	91030615	Screw	MST0615SE	4	4	
312(313)	00069650	Drive On Plate F		4	4	
314	N/A	Drive On Beam A <b>(Not Available because Beam is structural parts)</b>		1	1	N/A
315	N/A	Drive On Beam B <b>(Not Available because Beam is structural parts)</b>		1	1	N/A
316	11116660	Jacking Beam Stopper		4	4	
317	90760815	Socket Head Cap Bolt	HSBS0815	8	8	
318	90921065	Socket Head Cap Bolt	HSB1065	4	4	
319	50615001	High Pressure Hose A			1	
320	90980525	Roll Pin	SRP0525		2	
360	90980535	Roll Pin	SRP0535		1	

# Wheel Free Upper Lift and Cylinder

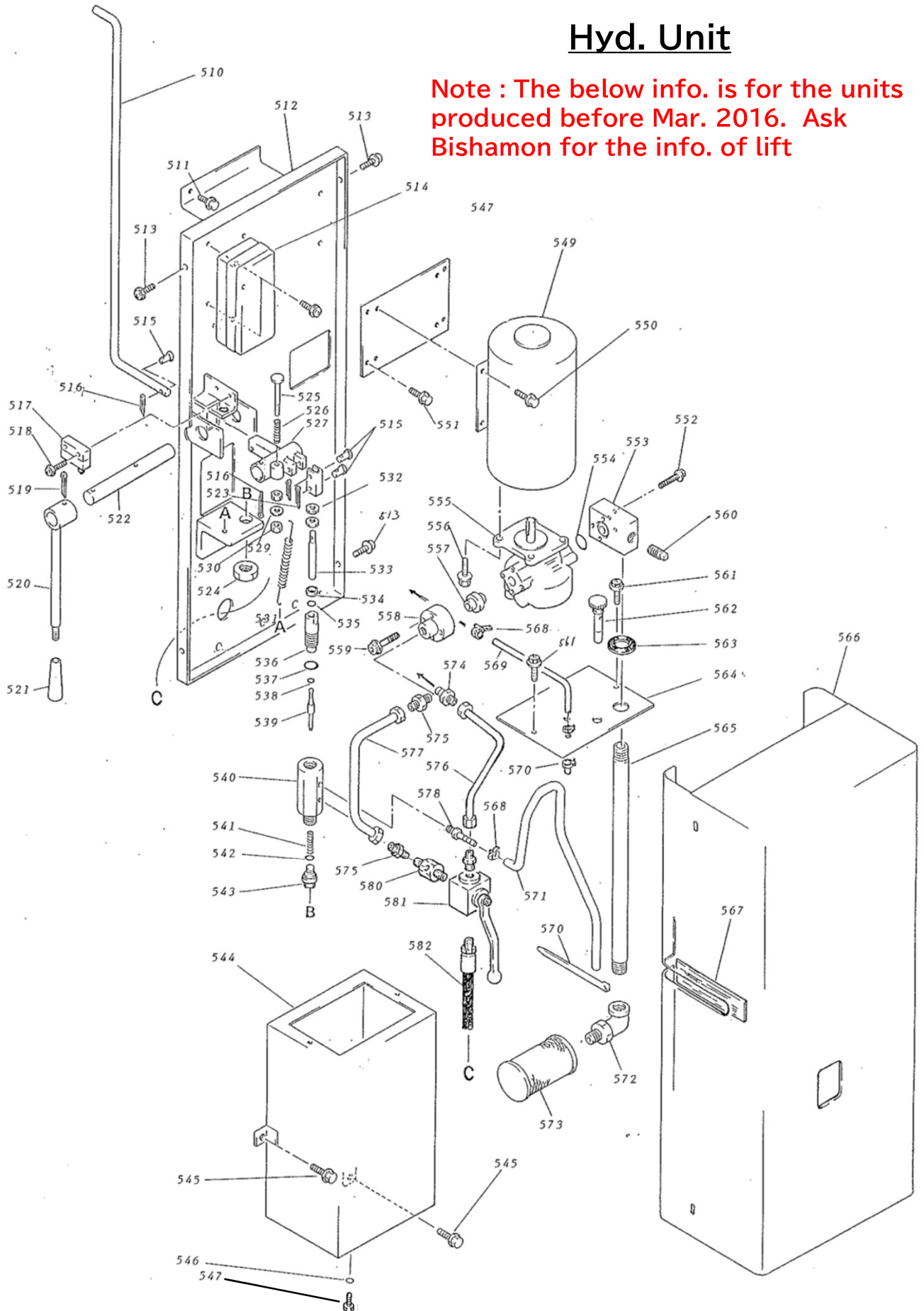


## Wheel Free Upper Lift and Cylinder

Ill.No.	Parts No.	Parts Name	Note	Qty/Unit		Price/ea.
				FP3500	FP3500X	
	30071012	Cylinder Assy	(342~352, 354)		1	
PY6	00071041	Guide Roller A Assy	(333, 334)		4	
PY7	00071051	Guide Roller B Assy	(340, 341)		4	
	00069501	Cylinder Seal Kit (After 9403016)	(342, 346, 347, 352, 354)		1	
321-1	00069350	Free Wheel Stand (L=1190mm)	Before Jan. 2002		2	N/A
321-2	00081920	Free Wheel Stand (L=1440mm)	After Feb. 2002		2	N/A
322	50615011	Return Spring			2	
323	90973035	Cotter Pin	SP0335		24	
324	10215101	Head Joint Pin			8	
325	90930720	Flat Washer	PW20SE		16	
326	10215101	Head Joint Pin			2	
327	90930316	Hex Nut	HN16 (3) SE		4	
328	90930516	Spring Washer	SW16SE		4	
329	90930716	Flat Washer	PW16SE		4	
330	10215162	Center Shaft			2	
331	N/A	Inner Link Assy (Not Available because of structural parts)			2	N/A
332	80827006	Grease Fitting	GNAM6X0.75		2	
333	10215141	Guide Roller A			4	
334	10215191	Bushing B			4	
335	80845011	Snap Ring	RR020		8	
336	12681291	Arm Metal Bushing			4	
337	N/A	Inner Link Assy (Not Available because of structural parts)			2	N/A
338	80845015	Snap Ring	RR025		4	
339	10216571	Safety Hook			4	
340	10215181	Bushing A			4	
341	10215151	Guide Roller B			4	
342	80803032	Dust Seal	SDR-32		2	
343	10215083	Cylinder Cover			2	
344	10215071	Piston Rod			2	
345	10215760	Piston			2	
346	51111260	Wearing	C4F 63X16X3		2	
347	80802763	U Packing	GPY-63		2	
348	10161161	Piston Washer			2	
349	90930512	Spring Washer	SW12SE		2	
350	90911225	Hex Bolt	HB1225-10.9		2	
351	00071022	Cylinder			2	
352	80800024	O Ring	P25		2	
353	10530570	Wire Hook Pin			2	
354	80806763	Back Up Ring	TC-GPY-63 Sakagani		2	
355-1	50615201	Rubber Pad (T5X427X1130)	Before Oct. 2002		2	
355-2	50615202	Rubber Pad (T5X427X1430)	Oct. 2002~Mar. 2006		2	
<b>Note : Rubber Pad was abolished after March 2006</b>						

# Hyd. Unit

Note : The below info. is for the units produced before Mar. 2016. Ask Bishamon for the info. of lift





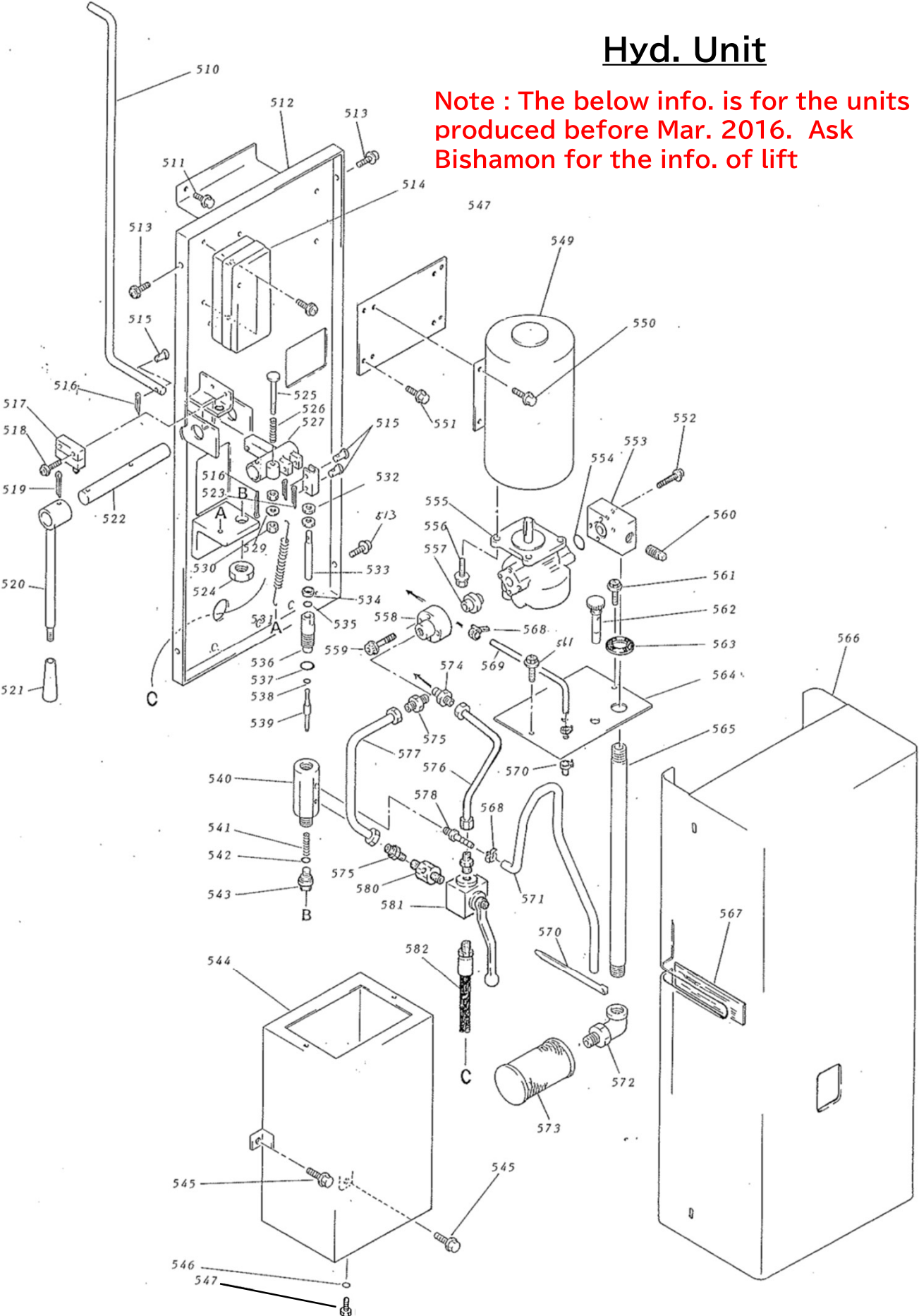
# Hyd. Unit

Note : The info. Of this page is for the lifts produced before Mar. 2016. For reference only.

Ill.No.	Parts No.	Parts Name	Note	Qty/Unit		Price/ea.
				FP3500	FP3500X	
510	10210723	Limiter Bar		1	1	
511	90890812	Hex Bolt with Washer	HBS0812SE	4	4	
512	00070104	Control Panel		1	1	
513	90740508	Hex Bolt with Washer	HBP0508SE	6	6	
514	30820700	Magnet Switch (MS-N11-S5)	50HZ/200V, 60HZ/200 · 220V	1	1	
	30820720	Magnet Switch (MS-N11-S6)	50HZ/380 · 400 · 415V, 60HZ/400 · 440V	1	1	
515	50501681	Pin		3	3	
516	90972016	Cotter Pin	SPO215SE	3	3	
517	80820756	Limit Switch (Z-15GD-B)	50HZ/200V, 60HZ/200 · 220V	1	1	
	80820756	Limit Switch (Z-15GD-B)	50HZ/380 · 400 · 415V, 60HZ/400 · 440V	1	1	
518	90750425	Screw with Washer		2	2	
519	90975050	Cotter Pin	SPO550SE	1	1	
520	00069740	Control Lever		1	1	
521	50561801	Grip		1	1	
522	10210631	Control Shaft		1	1	
523	90975035	Cotter Pin	SPO535SE	1	1	
524	90930320	Hex Nut	HN20 (3) SE	1	1	
525	10162722	Switch Pin		1	1	
526	50562721	Switch Plunger Spring		1	1	
527	00070260	Control Boss		1	1	
528	11211320	Control Rod		1	1	
529	90930708	Flat Washer	PW08SE	1	1	
530	90930308	Hex Nut	HN08 (3) SE	2	2	
531	50612880	Neutrizer Spring		1	1	
532	90930310	Hex Nut	HN10 (3) SE	2	2	
533	10162532	Valve Rod		1	1	
534	11317530	Valve Rod Collar		1	1	
535	80800008	O Ring	P10	1	1	
536	10162521	Valve Housing		1	1	
537	80800017	O Ring	P18	1	1	
538	80800220	O Ring	AN6227-1	1	1	
539	10162511	Valve Plunger		1	1	
540	10162502	Valve Body		1	1	
541	50581761	Valve Spring		1	1	
542	80800411	O Ring	JASO-1011	1	1	
543	10162543	Valve Socket		1	1	
544	00099481	Oil Reservoir		1	1	
545	90890612	Bolt with Washer	HBS0612SE	2	2	
546	80800250	O Ring	P12	1	1	
547	90911220	Hex Bolt	HB1220SE	1	1	
548	11317480	Motor Fitting Plate		1	1	
549	80820013	Motor (TWC4712AG 3H1.5KW)	50HZ/200V, 60HZ/200 · 220V	1	1	
	80820014	Motor (TWC4712BG 3H1.5KW)	50HZ/380 · 400 · 415V, 60HZ/400 · 440V	1	1	
550	90790610	Hex Bolt with Washer	HBPS0601SE	4	4	
551	90770615	Hex Bolt with Washer	HBS0615SE	4	4	
552	90760640	Socket Head Cap Bolt	HSBS0640	3	3	
553	11317500	Suction Joint		1	1	
554	80800018	O Ring	P20	1	1	
555	80818014	Gear Pump	GPE0A1-AA40L175	1	1	
556	90890820	Hex Bolt with Washer	HBS0820SE	4	4	
557	80818531	Check Valve		1	1	
558	11317580	Pump Joint		1	1	
559	90760630	Socket Head Cap Bolt	HSBS0630	4	4	
560	80810003	Plug		1	1	
561	90740508	Hex Bolt with Washer	HBP0508SE	2	2	
562	00043644	Level Bar Assy		1	1	
563	11317490	Suction Pipe Cover		1	1	
564	11317470	Reservoir Cover		1	1	
565	10172384	Suction Pipe		1	1	
566	00070280	Control Panel Cover		1	1	
567	11211340	Blind Cover		1	1	

# Hyd. Unit

Note : The below info. is for the units produced before Mar. 2016. Ask Bishamon for the info. of lift

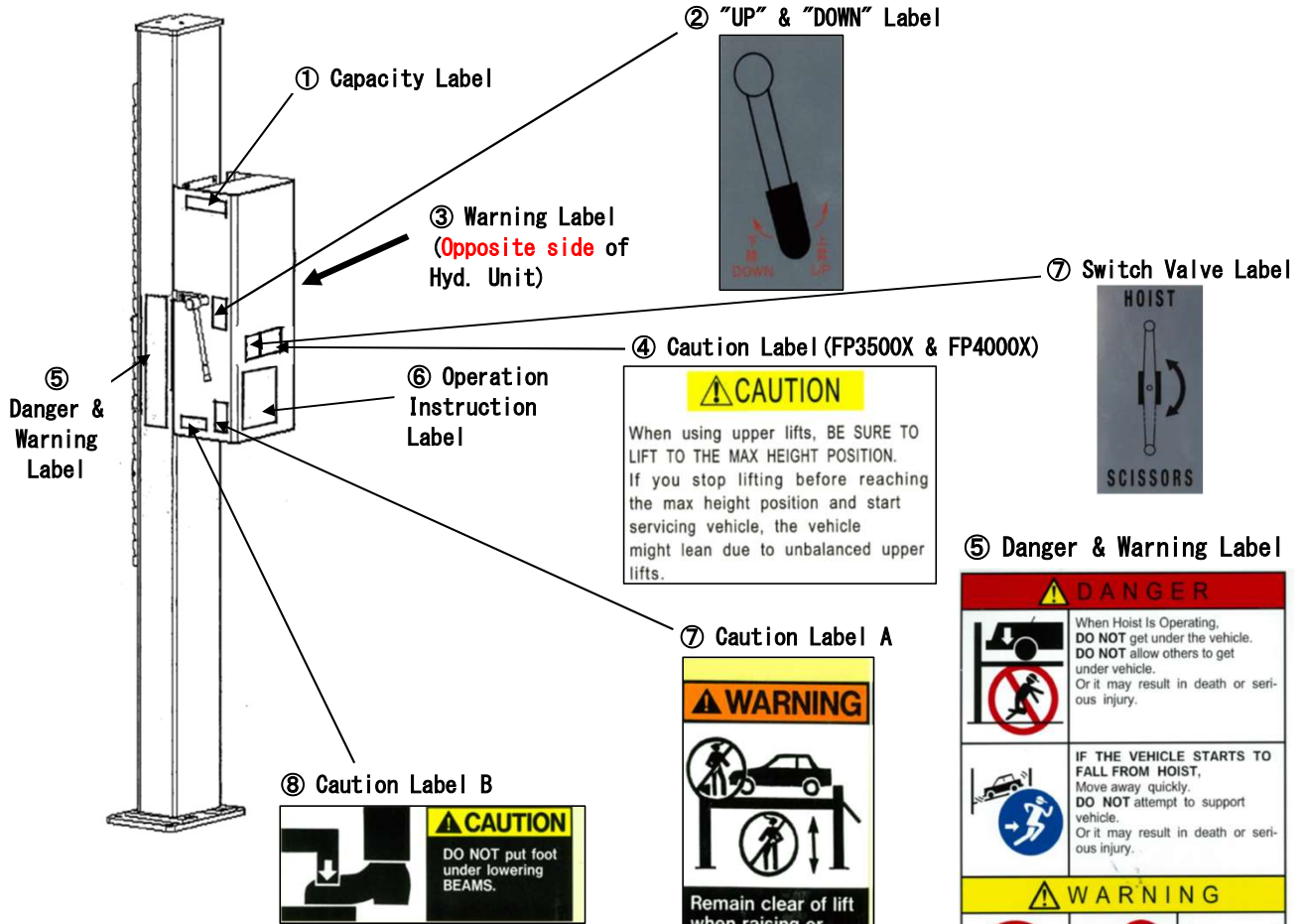


## Hyd. Unit

Note : The info. Of this page is for the lifts produced before Mar. 2016. For reference only

Ill. No.	Parts No.	Parts Name	Note	Qty/Unit		Price/ea.
				FP3500	FP3500X	
568	80825023	Hose Band	SIZE12 (000) 13R	2	2	
569	11317510	Over Flow Tube		1	1	
570	80825291	Vinyl Fastener	CV-150	3	3	
571	11317520	Oil Return Tube		1	1	
572	80810704	Street Elbow	STE1/2SE	1	1	
573	80818950	Strainer		1	1	
574	80814210	Union Joint	H-S-J10	1	1	
575	80814910	Connector	HS-S-10X1/4	2	2	
576-1	00069971	Oil Pressure Pipe B Assy		1		
576-2	00071161	Oil Pressure Pipe B Assy			1	
577-1	00069952	Oil Pressure Pipe C Assy		1		
577-2	00071352	Oil Pressure Pipe C Assy			1	
578	80812102	Air Hose Nipple		1	1	
579	80814911	Connector	HS-S-10X3/8	1	1	
580-1	80815013	Tee	HS-FB-10X1/4	1		
580-2	10215062	Pressure Pipe Joint			1	
581	50615071	Change Valve			1	
582	50615001	High Pressure Hose A			1	

# 8. Warning and Caution Labels etc.



③ Warning Label (Opposite side of Hyd. Unit)

**WARNING**

READ THE OPERATION MANUAL COMPLETELY AND UNDERSTAND THOROUGHLY THE OPERATION OF THE EQUIPMENTS BEFORE OPERATING THE LIFT.

- MAKE SURE that all new operators READ this manual and completely understand the operating instructions before operating the lift.
- INSPECT THE LIFT DAILY NEVER operate the lift if malfunctions or any of its components are broken or damaged. Repair should be done immediately with the original genuine parts.
- DO NOT use the lift for any other purpose than its intended use as an autonomous service lift.
- DO NOT overload the lift than its rated capacity. Serious injury could result if vehicles that weigh more than the capacity of the lift are lifted. Refer to the specifications of vehicle before lifting the vehicle.
- DO NOT allow children to play near or with the lift at any time. DO NOT allow any unauthorized person to operate or use the lift.
- DO NOT raise or lower the vehicle with anyone inside it.
- DO NOT allow any person to operate the lift when any personnel are working under the raised vehicle.
- TO stop the operation of the unit at any time, RELEASE the control lever. Operation control is designed to close when it is released. DO NOT block, open or override it.
- Positioning of vehicle and operation of this lift should be done by TRAINED and AUTHORIZED personnel.
- DO NOT allow customer or by-standers to enter in the lift area during the operation.
- NEVER STAY under the lift when operating. Always stand outside of the lift area when raising or lowering. Always WATCH the vehicle when raising or lowering.
- KEEP HAND CLEAR of any moving parts of the lift when operating the lift.
- DO NOT stand under or enter underneath of the lift until the safety hooks are engaged.
- ALWAYS BE SURE that tool trays, stands or other instruments are removed from under the vehicle before lowering the vehicle. Also, release the safety hooks before lowering the lift. ALWAYS WATCH VEHICLE when lowering. If it lifts for any reason, release control lever immediately to stop the operation.
- DO NOT ride on drive-on beams or allow others to ride on it when lowering or raising the lift.
- ALWAYS DISCONNECT ELECTRICAL POWER when maintaining the lift unless power is required for checking the operation of the lift.
- Perform service works as instructed in the operation manual. DO NOT operate the lift if any safety devices are not working or have been damaged.
- Always keep lift area free from obstruction, grease, oil, trash or other debris.
- Always make sure drive-on ramp and drive-on beam (runway) are thoroughly cleaned and free from the materials such as oil, grease, under-seal materials s.t.c. in order to prevent the slip.
- DO NOT attempt to drive out vehicle from the lift until drive-on beams (runway) have been completely lowered to the lowest position.
- DO NOT put hand or foot under the lowering lift.

⑥ Operation Instruction Label

**OPERATION INSTRUCTION**

READ AND UNDERSTAND operation instruction booklet supplied with this lift completely before the operation of this lift.

- RAISING RUNWAYS**
  - 1-1. Choose the mode of "HOIST" of select valve (FP-3500X and FP-4000X only).
  - 1-2. Move control lever to "UP" position and the runways will start to rise.
- LOWERING RUNWAYS**
  - 2-1. Choose the mode of "HOIST" of select valve (FP-3500X and FP-4000X only).
  - 2-2. Push down the safety lock handle to release safety hooks.
  - 2-3. Move control lever to "DOWN" position and the runways will start to descend.
  - 2-4. If the runways has been stopped in the middle, engage the safety lock manually by pushing down the safety lock handle.
- RAISING SCISSORS LIFTS (FP-3500X AND FP-4000X ONLY)**
  - 3-1. Choose the mode of "SCISSORS LIFTS" of select valve.
  - 3-2. Move control lever to "UP" position and the scissors lifts will start to rise. Always raise the scissors lift to max. height and do not stop raising in the middle as safety locks will not engage.
- LOWERING SCISSORS LIFTS (FP-3500X AND FP-4000X ONLY)**
  - 4-1. Choose the mode of "SCISSORS LIFTS" of select valve.
  - 4-2. After releasing safety locks for scissors lifts, move control lever to "DOWN" position and the scissors lifts will start to descend.

⑤ Danger & Warning Label

**DANGER**

When Hoist is Operating, DO NOT get under the vehicle. DO NOT allow others to get under vehicle. Or it may result in death or serious injury.

**IF THE VEHICLE STARTS TO FALL FROM HOIST, Move away quickly. DO NOT attempt to support vehicle. Or it may result in death or serious injury.**

**WARNING**

DO NOT use lift unless you have been trained in its operation. "Incorrect operation may result in an accident."

DO NOT lower the lift while any stand or support is in position under vehicle. "Incorrect operation may result in an accident."

DO NOT swing, shake or push the raised vehicle.

DO NOT use adaptors other than those supplied by the manufacturer for this model lift.

DO NOT lift vehicles by one end only.

DO NOT under any circumstances modify this lift.

KEEP FEET CLEAR. When lowering lift make user to keep feet clear of hoist and vehicle.

Apply parking brake and position wheel stop when operating lift.

READ and be familiar with the operating manual for this lift.

Make certain that safety hook is engaged when vehicle is raised.

Vehicle must not be angled to hoist.

**ELECTRICAL HAZARD!** DO NOT open control box or remove cover plates without isolating electrical supply.

(Model)	(Rope Dia.)	(Rope Length)	(Model)	(Rope Dia.)	(Rope Length)
FP-3500	10φ	5565	FP-3500X	10φ	5565
FP-3500	10φ	9940	FP-3500X	10φ	9940
FP-3500	10φ	11334	FP-3500X	10φ	11410
FP-4000	10φ	5850	FP-4000X	10φ	5850
FP-4000	10φ	11125	FP-4000X	10φ	11125
FP-4000	10φ	12520	FP-4000X	10φ	12595

Keep this warning label in good condition. If it becomes damaged or illegible, contact your supplier for a replacement.

The warnings on this label are for your safety. To disregard the warnings may result in serious injury or death.



**Caution**  
If any label is worn/damaged or peeled during use, immediately purchase and put a new one

## Warning and Caution Labels

Ill. No.	Parts No.	Parts Name	Note	Qty/Unit		Price/ea.
				FP3500	FP3500X	
①	50617540	Capacity Label A	(3, 500 kgs)	1	1	
②	10588460	Up and Down Label		1	1	
③	10216420	Warning Label		1	1	
④	50608080	Caution Label			1	
⑤	10216400	Danger and Warning Label		1	1	
⑥	10216440	Operation Instruction Label		1	1	
⑦	50615550	Caution Label A		1	1	
⑧	50615560	Caution Label B		1	1	
⑨	97999442	Switch Valve Label			1	

# **Bishamon**

---

 **Sugiyasu Corporation**  
3-21, 4-Chome, Hongo-Cho, Takahama City,  
Aichi, Japan 444-1394  
Tel. 81-566-53-1126, Fax. 81-566-53-1844  
<http://www.bishamon.co.jp/>